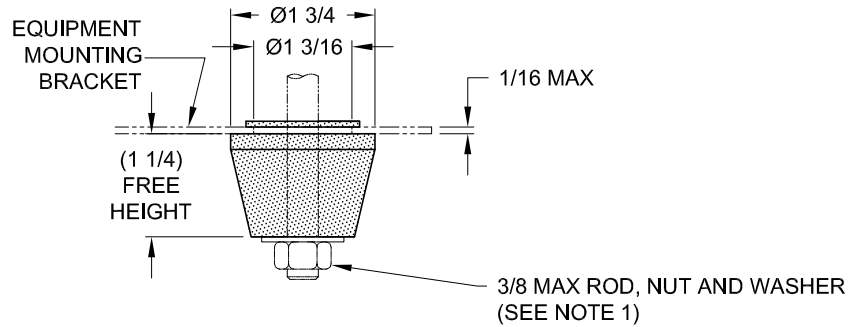
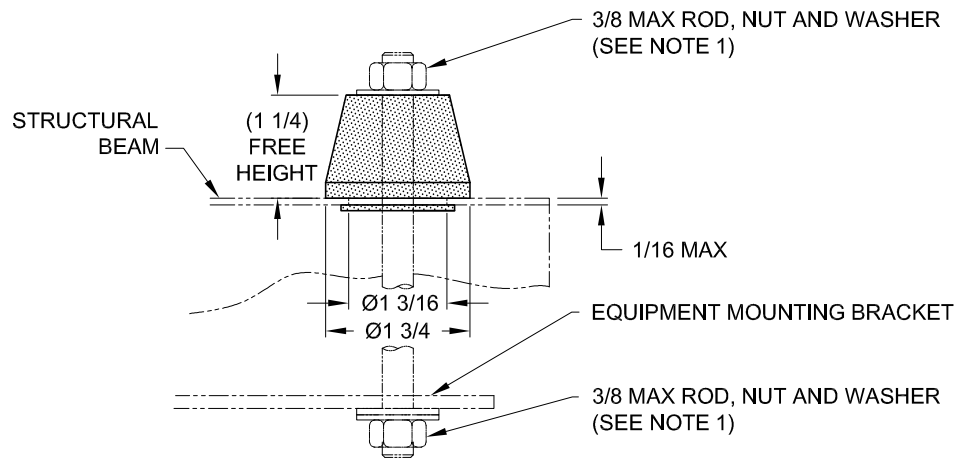


REV.	DESCRIPTION	DATE	BY

INSTALLATION OF ELEMENT BELOW STRUCTURE



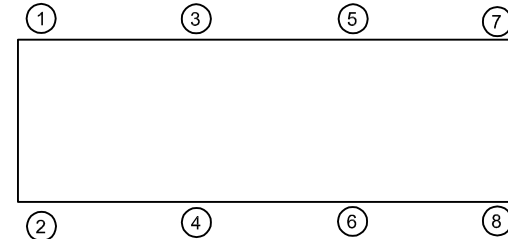
INSTALLATION OF ELEMENT ABOVE STRUCTURE



NOTES:

- HANGER RODS, NUTS AND WASHERS, AS SHOWN, NOT BY THE VMC GROUP.
- ALL DIMENSIONS IN INCHES. INTERPRET PER ANSI Y14.
- ALL DIMENSIONS ARE FOR REFERENCE, DIMENSIONS SHOWN AS NOMINAL.
- RATED DEFLECTIONS ARE WITHIN 25% OF NOMINAL. HIGHER DEFLECTIONS ARE ALLOWED IF THEY MEET SPECIFICATIONS.

TYPE HRO-A ELASTOMERIC HANGERS FOR 1/2" NOMINAL DEFLECTION			
HANGER	RATED LOAD (LBS)	DEFLECTION (IN)	ELEMENT LOAD & COLOR
HRO-A-35	35	0.40	RE-A-35 BLUE
HRO-A-45	45	0.40	RE-A-45 BLACK
HRO-A-75	75	0.40	RE-A-75 RED
HRO-A-120	120	0.40	RE-A-120 GREEN



ISOLATOR SELECTIONS

LOC 1:	LOC 2:
LOC 3:	LOC 4:
LOC 5:	LOC 6:
LOC 7:	LOC 8:
CUSTOMER EQP'T. TAG:	

NOTE: MATERIAL SHOWN IS FOR (1) SET.

OTHER MATERIALS, COMPOUNDS, OR FINISHES WITH EQUAL OR SUPERIOR PROPERTIES MAY BE SUBSTITUTED AS THEY BECOME AVAILABLE.

CERTIFIED FOR:

JOB NAME: _____
 CUSTOMER: _____
 CUSTOMER P.O.: _____
 SALES ORDER: _____

MODEL HRO-A 35-120 LBS. ELASTOMERIC HANGERS 0.5 DEFLECTION



THE VMC GROUP
The Power of Together
 Bloomingdale, NJ 07403
 Houston, TX 77041

SCALE: NONE

SHEET: _____

DRAWING NO.: _____

REVISION _____

